

XQJ-P-01, XQJ-T-01 托盘式、梯级式桥架

Tray type and ladder type trays

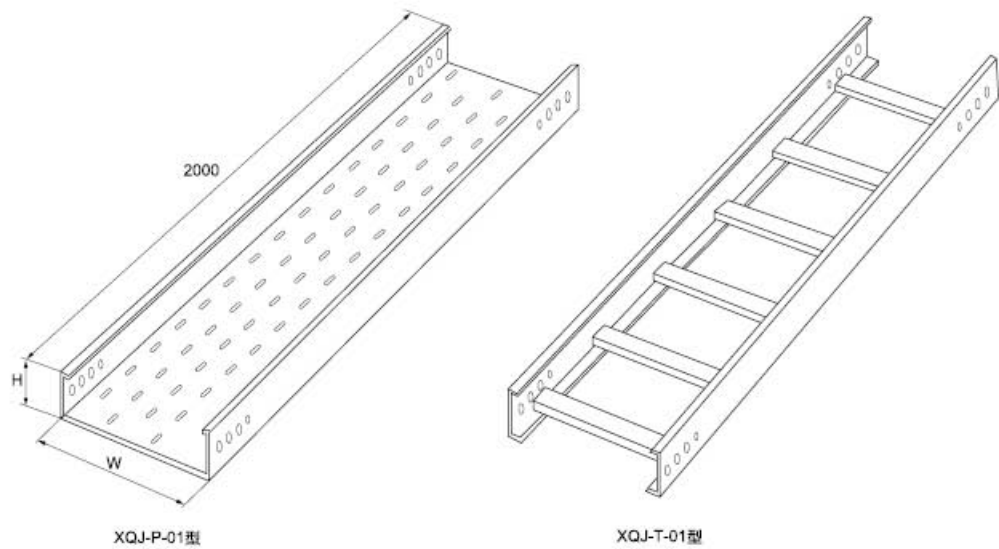


适用范围 Applicable range

托盘式及梯级式桥架具有电缆容量大，散热性好等特点。桥架表面处理分：喷塑、电镀锌+喷塑、热浸镀锌等。

Tray type and ladder type trays have features like large capacity of cable and perfect heat emission. The surface of tray is handled by plastic spraying, galvanizing with plastic spraying, hot dip galvanizing, etc..

外形尺寸表 Outline of size



型号 Model	宽度 W	高度 H	备注 Remark
XQJ-P(T)-01-6-2	200	60	1、桥架备有护罩需要在订货中说明 2、表中没有的规格，用户如需要可来图或文字说明 1. If need the shield, please indicate while placing an order 2. If user needs the specification that is not listed in the table, please provide the drawing or the detailed information.
XQJ-P(T)-01-10-2	200	100	
XQJ-P(T)-01-15-2	200	150	
XQJ-P(T)-01-6-3	300	60	
XQJ-P(T)-01-10-3	300	100	
XQJ-P(T)-01-15-3	300	150	
XQJ-P(T)-01-6-4	400	60	
XQJ-P(T)-01-10-4	400	100	
XQJ-P(T)-01-6-5	400	150	
XQJ-P(T)-01-10-5	500	60	
XQJ-P(T)-01-10-5	500	100	
XQJ-P(T)-01-15-5	500	150	
XQJ-P(T)-01-6-6	600	60	
XQJ-P(T)-01-10-6	600	100	
XQJ-P(T)-01-15-6	600	150	
XQJ-P(T)-01-6-8	800	60	
XQJ-P(T)-01-10-8	800	100	
XQJ-P(T)-01-15-8	800	150	