

XQJ-C-01, ANXQJ-C-01A 槽式耐火桥架

Slot type fireproof tray



适用范围 Applicable range

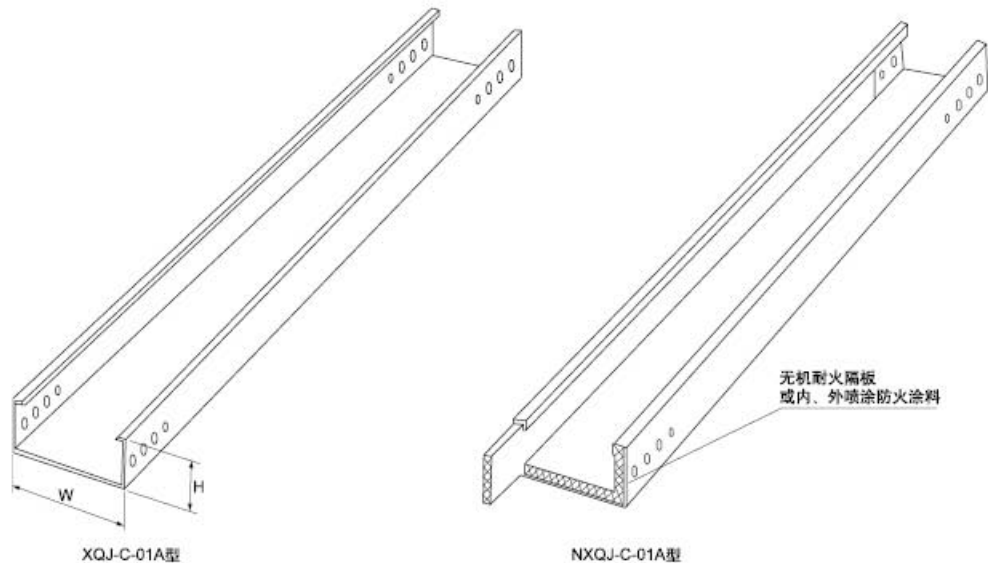
槽式桥架是一种封闭性较好的桥架。它较适用于敷设计算机电缆、通信电缆及其它高效系统的控制电缆等，其除具有较强的通用性，别对控制电缆的屏蔽干扰和腐蚀环境中的电缆保护都有较好的效果。

桥架表面处理分：喷塑、电镀锌、电镀锌+喷塑、热浸镀锌等。

Slot type fireproof tray is the one with the perfect seal. It is suitable for the layout of computer cable, communicating cable and other high-efficiency system control cables. Besides the strong general purpose, it can take great effect on withstanding the shielding interference of control cables and protecting the cables in the corrosive environment.

The surface of tray is handled by plastic spraying, galvanizing, galvanizing with plastic spraying, hot dip galvanizing, etc..

外形尺寸表 Outline of size



型号 Model	宽度 W	高度 H	备注 Remark
XQJ(NXQJ)-C-01A-1	50	25	1、NXQJ-C-01A 型 规格 W×H 从 200×100 起 2、表中没有的规格，用户如需要可来图或文字说明 1. NXQJ-C-01A type tray covers the specification from 200×100 (W×H) 2. If user needs the specification that is not listed in the table, please provide the drawing or the detailed information.
XQJ(NXQJ)-C-01A-2	100	50	
XQJ(NXQJ)-C-01A-3	150	75	
XQJ(NXQJ)-C-01A-4	200	100	
XQJ(NXQJ)-C-01A-5	250	125	
XQJ(NXQJ)-C-01A-6	300	100	
		150	
		200	
XQJ(NXQJ)-C-01A-7	400	100	
		150	
		200	
XQJ(NXQJ)-C-01A-8	500	100	
		150	
		200	
XQJ(NXQJ)-C-01A-9	600	100	
		150	
		200	
XQJ(NXQJ)-C-01A-10	800	100	
		150	
		200	